

Features

- Universal input 90~264V DC
- Direct EURO fixed Plugtop Adapter
- Approved to UKCA, CE, TUV-GS & RoHS
- IEC/EN 60950-1 Safety Approved
- Meets Efficiency Level VI & (EU) 2019/1782
- EMC Class B Certified
- Single Output 12~24V dc
- OVP, OCP, OTP, SCP



Ideal Power's 15DYS624-xyW-2-RS 30W AC/DC External Adapter EURO Plugtop Power Supply (PSU) Series are certified to UKCA, CE, TUV-GS, RoHS & IEC 60950-1/EN 60950-1 Standards and comply with (EU) 2019/1782, Level VI Efficiency Regulations. These are primarily used in ITE, Audio & Video Industries and customised solutions are available upon request.

Models

Model Number	Output Voltage (V dc)	Output Current (A)	Output Power (W)	Efficiency (%)
15DYS624-120250W-2-RS	12	2.5	30	87
15DYS624-150200W-2-RS	15	2	30	87
15DYS624-180166W-2-RS	18	1.66	30	87
15DYS624-240125W-2-RS	24	1.25	30	87

Input Data

	Min	Typical	Max	Units	Notes
Input Voltage	90	--	264	V AC	100-240VAC +/- 10%
Input Frequency	47	--	63	Hz	50-60Hz +/- 5%
Input Current	--	--	0.8	A	@ 100-240Vac input & Full load
Inrush Current	0	--	60	A	@ cold start, 100 / 240V AC
Energy Consumption	--	--	0.1	W	Input 115Vac or 230Vac and no output load

Output Data

	Min	Typical	Max	Units	Notes
Output Current Range	0.0	--	2.5	A	
Output Voltage Range	11.4	--	25.2	V	
Ripple & Noise	150	--	190	mVp-p	Model Dependant
Line Regulation	--	3	--	A	@ 100 Vac to 240 Vac input & Full load
Load Regulation	--	+5	--	%	
Turn-on Delay Time	--	--	3	S	@ 100 Vac to 240 Vac input & Full load
Hold-up Time	5	--	--	S	@ Full load & 100Vac/60Hz input turn off
Capacitance Load			470	uF	
Over/Undershoot	--	--	10	%	When power on or off
Transient Response	The output shall not exceed 10% of the nominal output voltage, load fluctuation: from 20% to 80%, R/S: 0.5A/uS, frequency: 100Hz duration and 8mS at 80%.				

Protection Requirements

	Min	Typical	Max	Units	Notes
Over Current Protection	1.625	--	3.25	A	Will recover if fault condition is removed
Short Circuit Protection					Will recover if fault condition is removed
Over Voltage Protection					Will recover if fault condition is removed

Environmental Data

	Min	Typical	Max	Units	Notes
Operating Temperature	0	--	+45	°C	
Storage Temperature	-20	--	+80	°C	
Operating Humidity	10	--	90	%	non condensing
Relative Humidity	5	--	95	%	non condensing
Vibration	10	--	300	Hz	sweep at a constant acceleration of 1.0G(Breadth: 3.5mm) for 1Hour for each of the perpendicular axes X, Y, Z

Reliability Requirements

	Min	Typical	Max	Units	Notes
Burn-in	4	--	--	Hrs	Under normal input and 80% rated load at 40°C ± 5°C
MTBF	--	50,000	--	Hrs	@25°C Full load and nominal input
Dielectric Strength	--	--	5	mA	4242Vdc / 60s (3s for mass production)
Leakage Current	--	--	0.25	mA	@ 264Vac / 50H
Insulation Resistance	50	--	--	mΩ	@primary to secondary add 500Vdc test voltage

EMI/EMS Standards

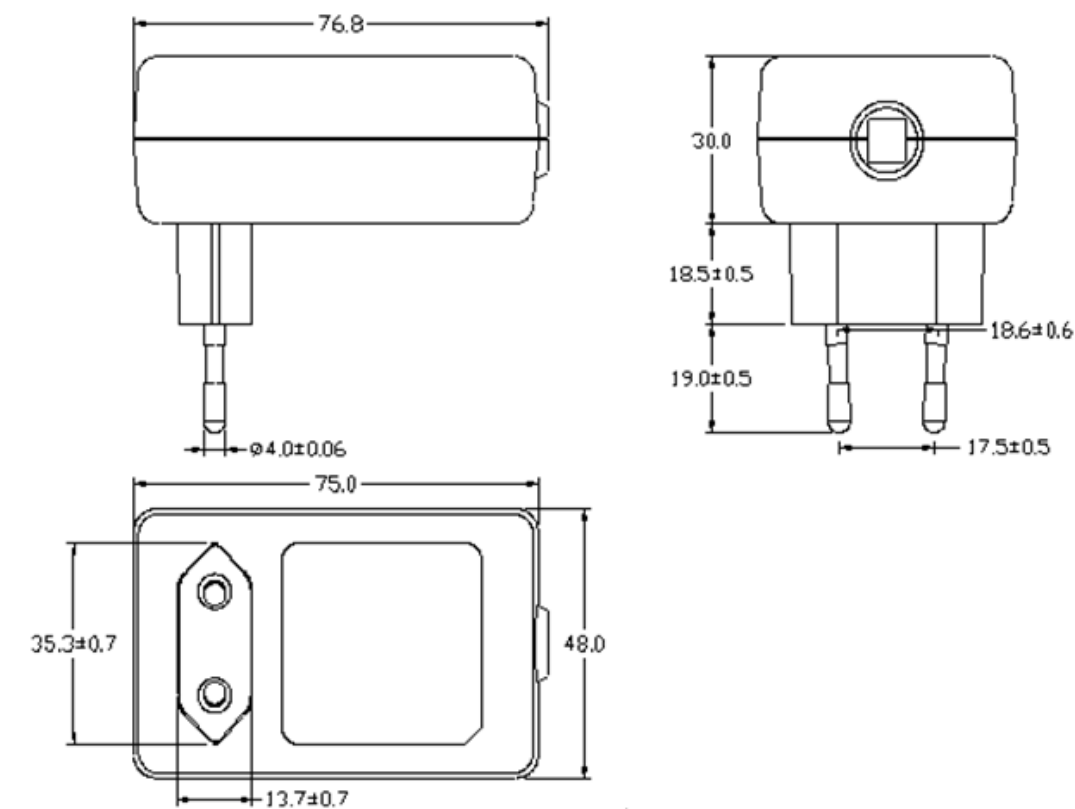
	Test Level	Test Criteria
EMI	EN 55032	
EMS	EN 55035	
ESD	IEC 61000-4-2,	Air discharge +/-8KV, Contact discharge +/-4KV
EFT	IEC 61000-4-4,	AC-Input 0.5KV/1KV
Surge Voltage	IEC 61000-4-5	Differential mode +/-1KV. Common mode +/-2KV

Safety Approvals

	Safety Standards
Safety Standards	IEC/EN 60950-1
Approvals	UKCA, CE, TUV-GS & RoHS

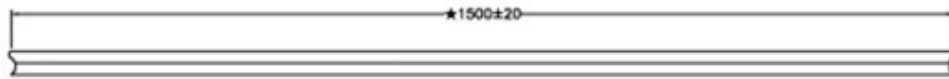
Product Information

	Notes
Dimensions	76.8x48x67.5mm
Output Cord	UL2468 18AWG, 1.5M Black
Output Connector	DC Plug: 2.5 x 5.5 x 12.0mm

Mechanical Drawing


Cable Drawing

Semi-finished products wire:

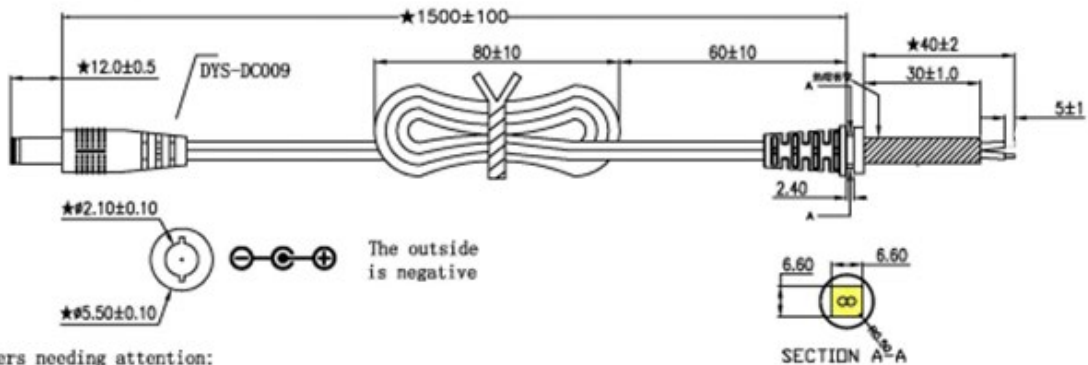


wire specification:

- 1, UL 2468 18AWG flatwire printed black nords outside. (lettering)
- 2, Polarity: Stripe link anode, Lettering link cathode.

DC plug&SR Tensile Strength:
Attach a 5Kg weight to the Cable.
Strain relief Bending Test:
Apply a 200g to the Cable,
Swing the 200° ,45 cycle/min,4500 cycles.

The finished wire;



Matters needing attention:

- 1, DC PLUG: $\phi 2.1 * \phi 5.5 * 12.0$ fork hook (Black Insulation)
- 2, SR SIZE: $6.6 * 6.6 * 2.4$
- 3, ★ Symbol as important parameters

Label

